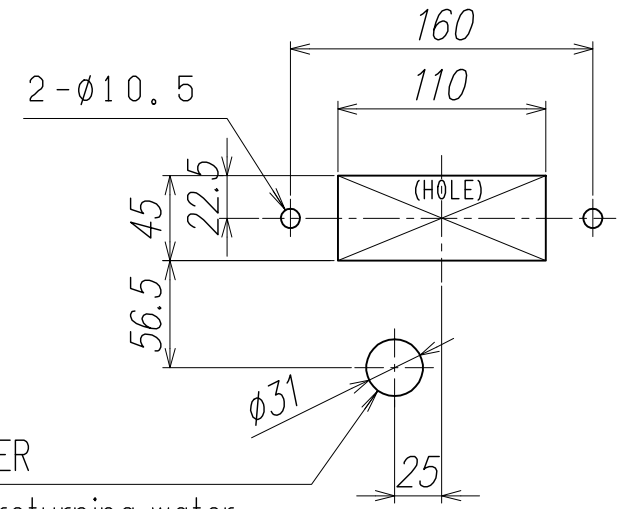
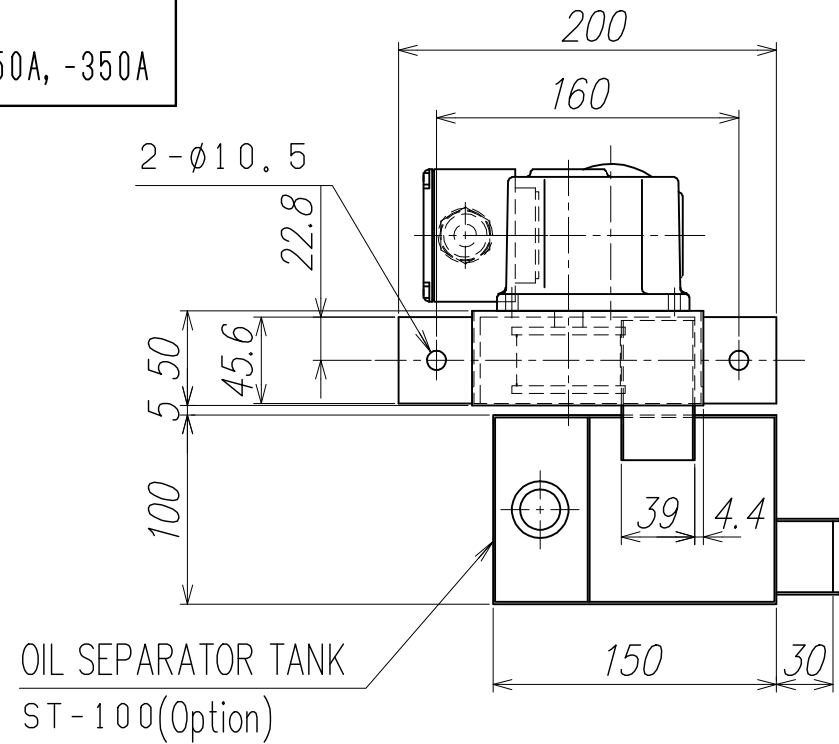
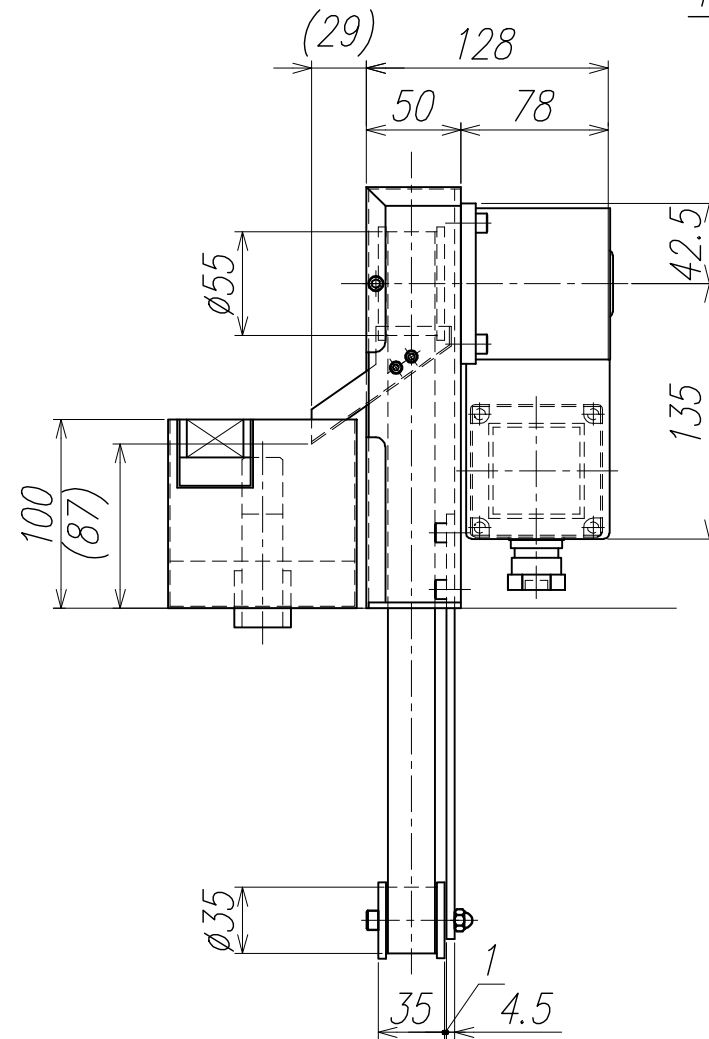
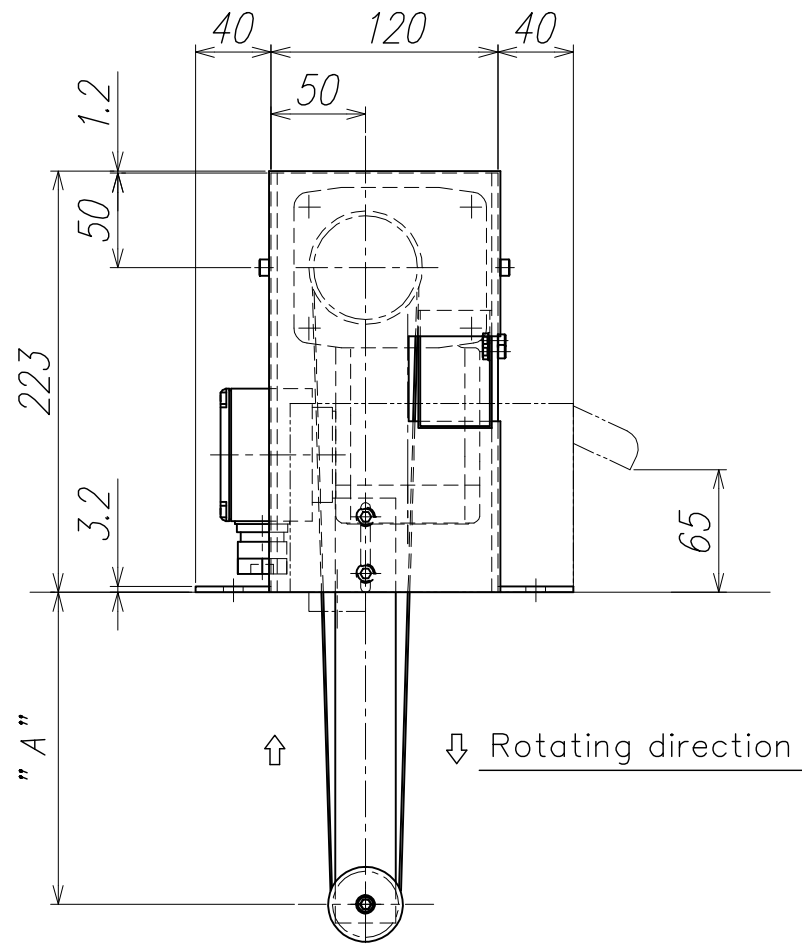


OIL SKIMMER  
Type SOC-165A, -250A, -350A



Attaching portion fabrication indication drawing



Motor Specification  
1. 200V/220V, 50/60Hz, 15w, 4P, 1/50  
2. Aluminum terminal box

Dimension "A"	Type	Beit length
165	SOC-165A	800
250	SOC-250A	970
350	SOC-350A	1170

Address 1519, Wakabadai  
Meito-ku, Nagoya-shi, Aichi 465-0015,  
Japan  
Tel: 052-760-3365 Fax: 052-760-3375

Note  
2014.02.10

APPROVED	CHECKED	DESIGNED	SCALE	NAME
			1/4	OIL SKIMMER SOC-165A, -250A, -350A
KOIKE E&S CO., LTD.				SOC-***A

