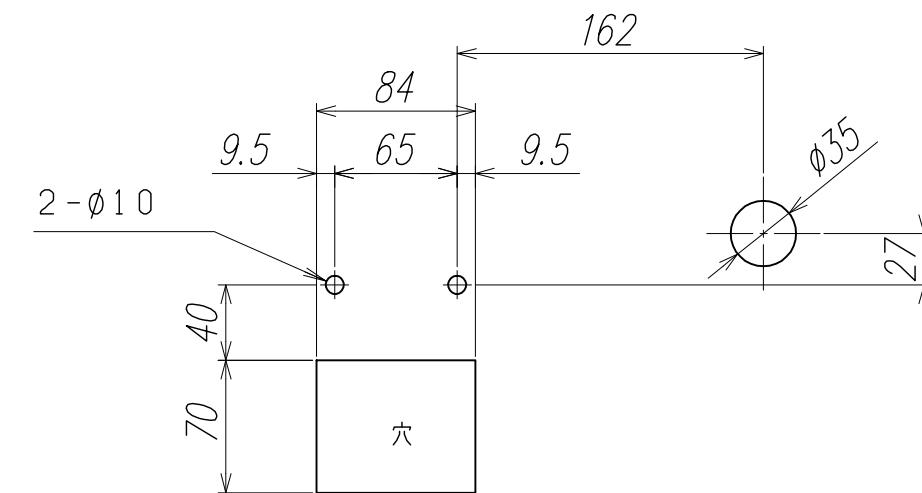
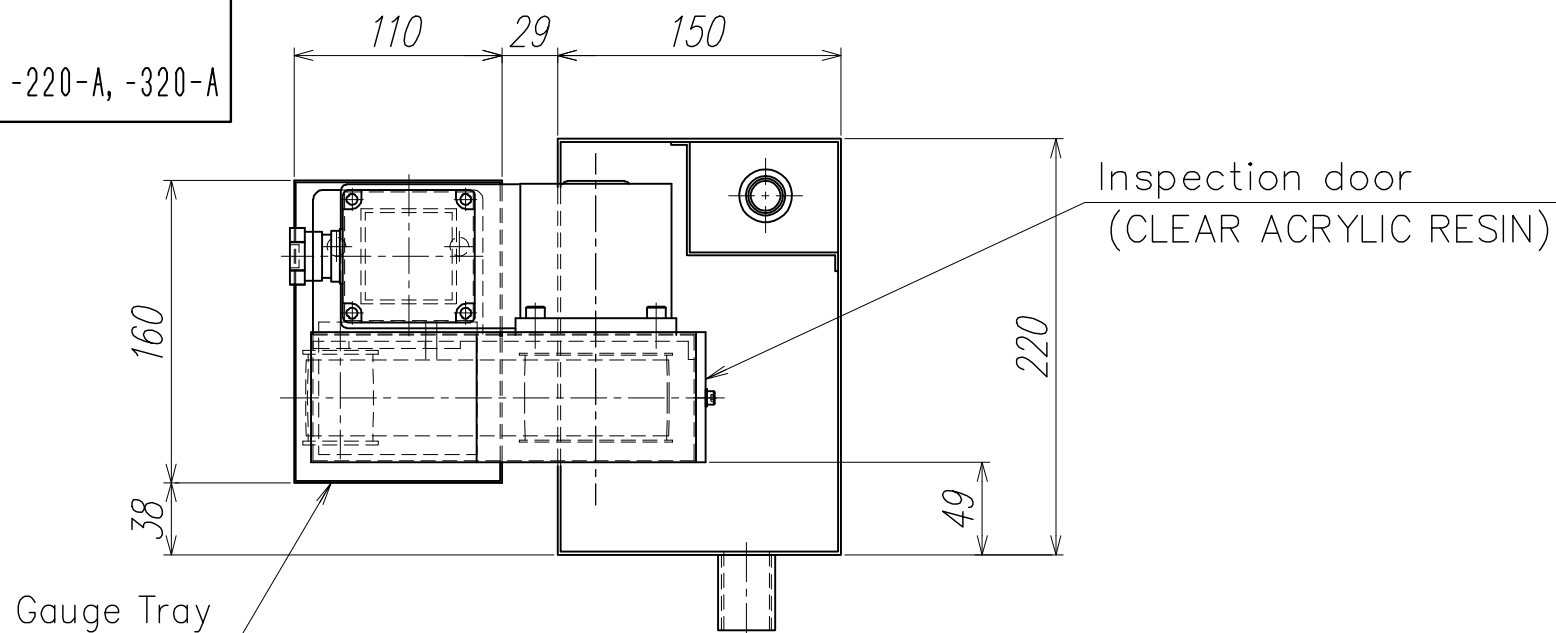
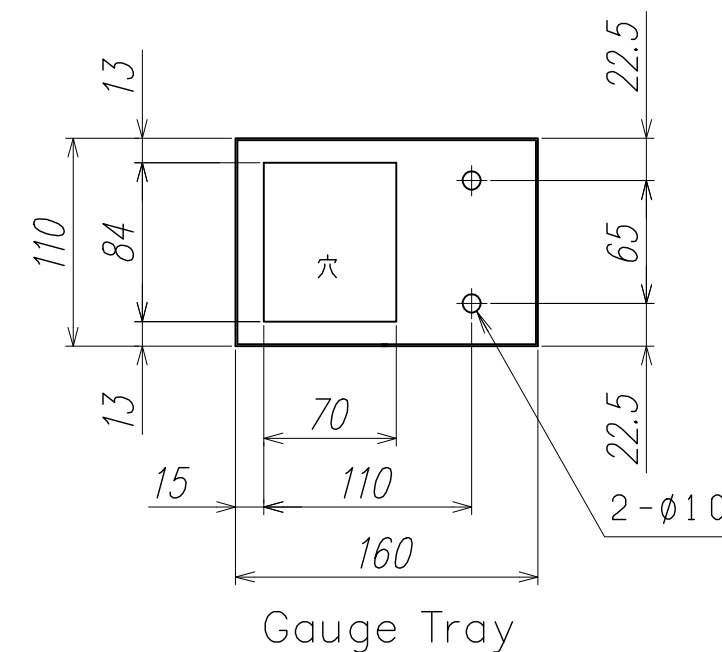
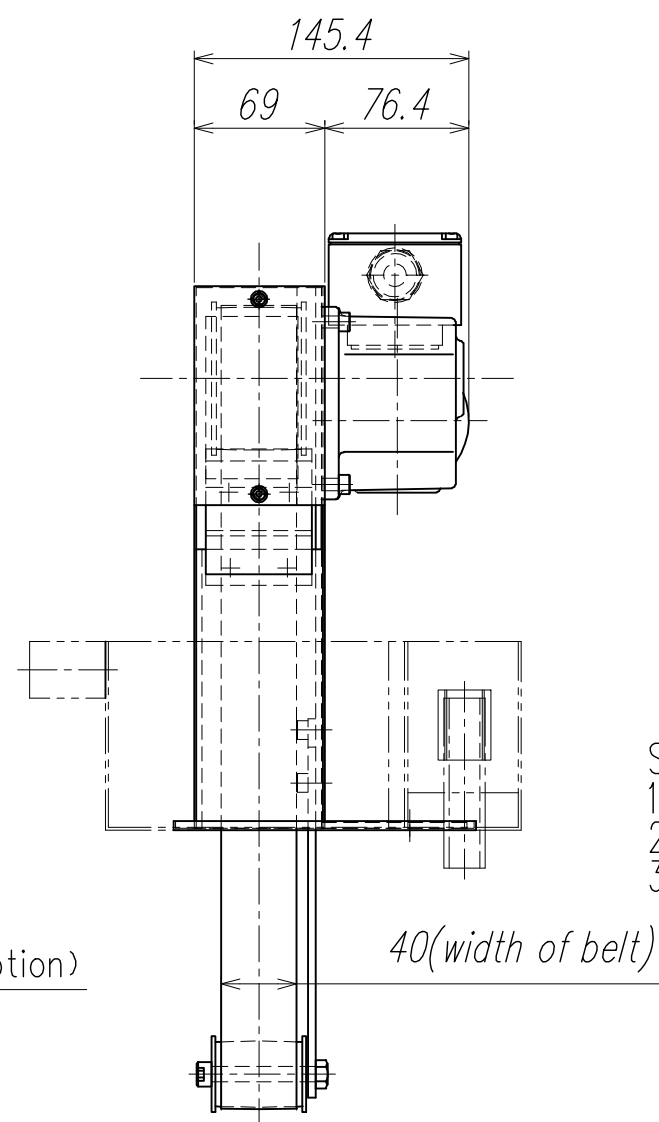
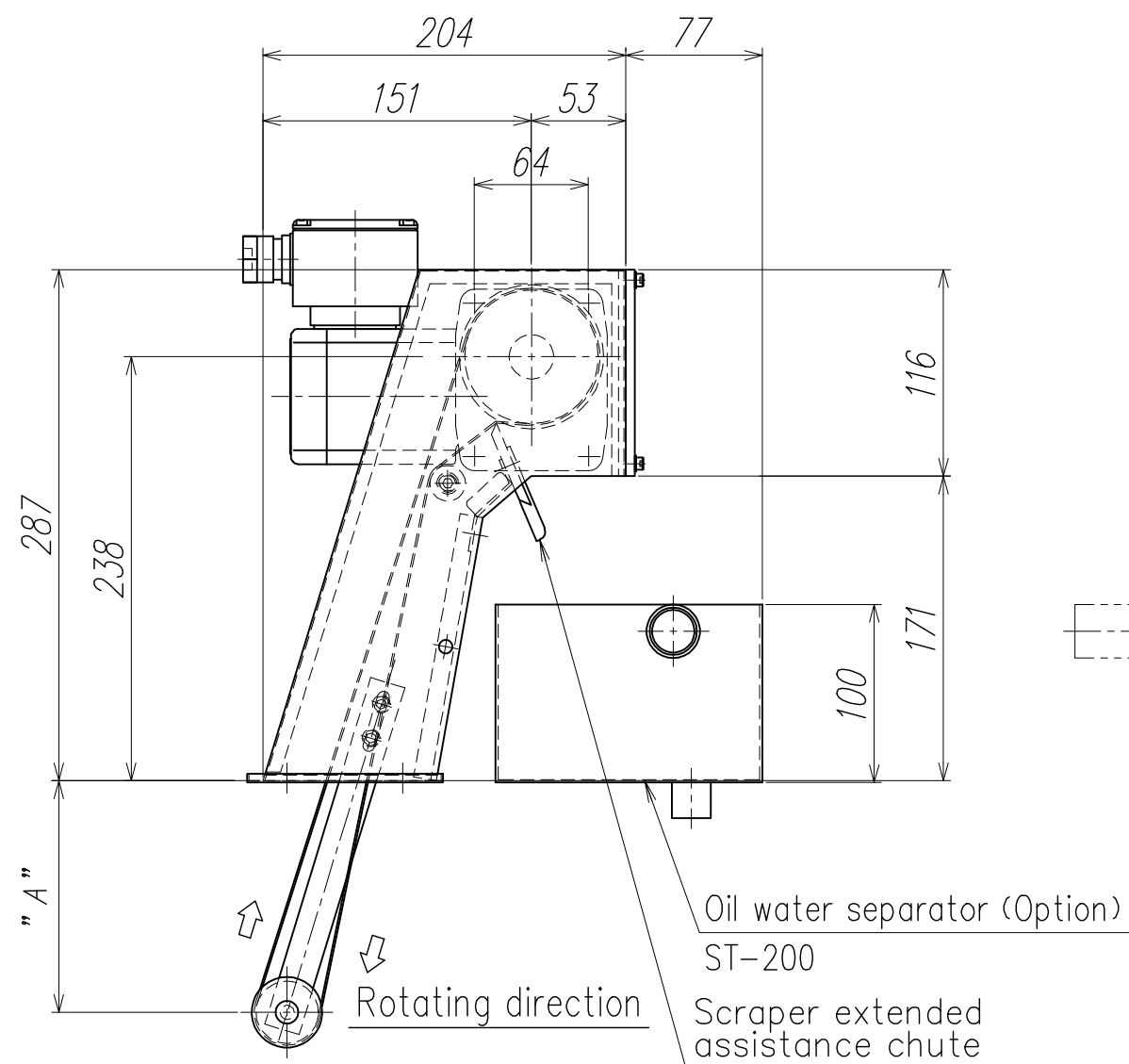


OIL SKIMMER  
Type KOCV-130-A, -220-A, -320-A



Processing details for an attachment



- Specification
1. Three Phase Motor: 200V / 220V, 50 / 60Hz, 15w, 4P, 1 / 50
  2. Belt made of the resin
  3. Scraper extended assistance chute

Dimension "A"	Type
130	KOCV-130-A
220	KOCV-220-A
320	KOCV-320-A

Address 1519, Wakabadai  
Meito-ku, Nagoya-shi, Aichi 465-0015,  
Japan  
Tel: 052-760-3365 Fax: 052-760-3375

Note  
2014.02.10

APPROVED	CHECKED	DESIGNED	SCALE	NAME
			1/4	OIL SKIMMER KOCV-130-A, -220-A, -320-A
KOIKE E&S CO., LTD.				KOCV-***-A