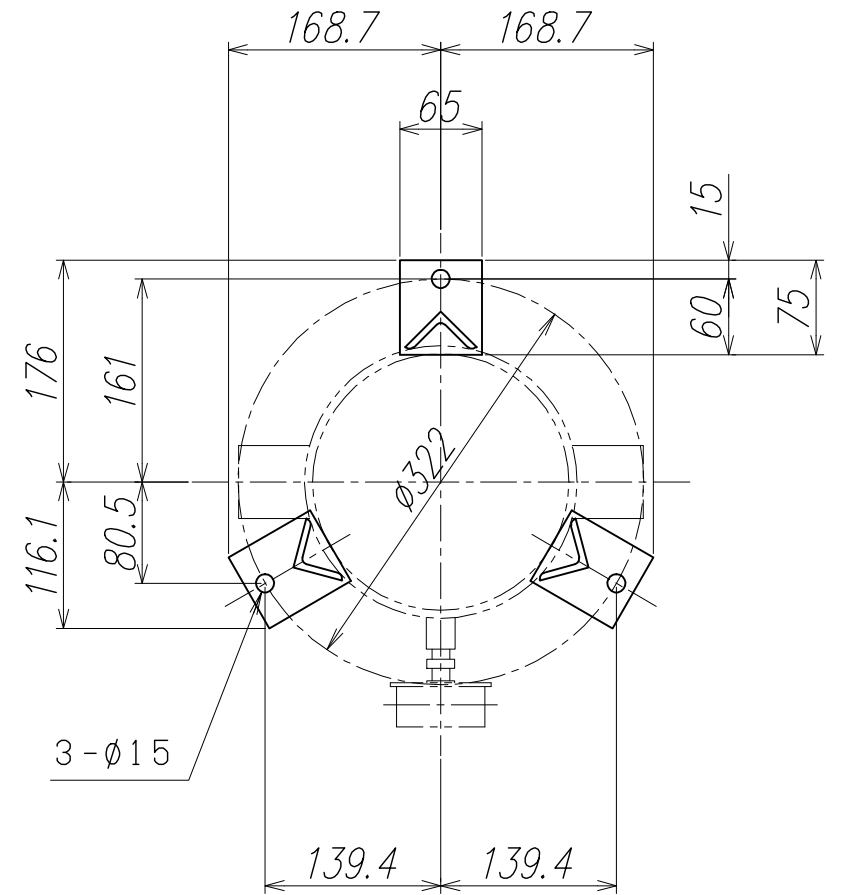
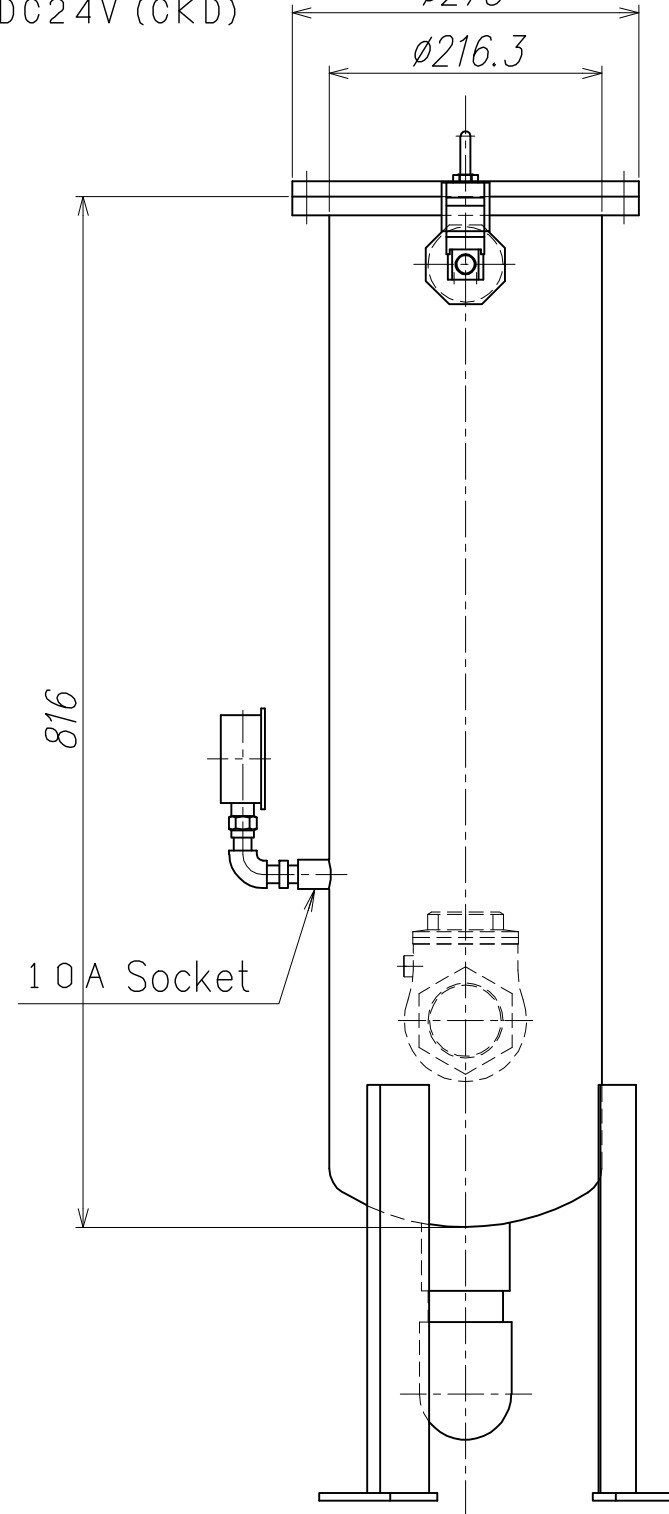
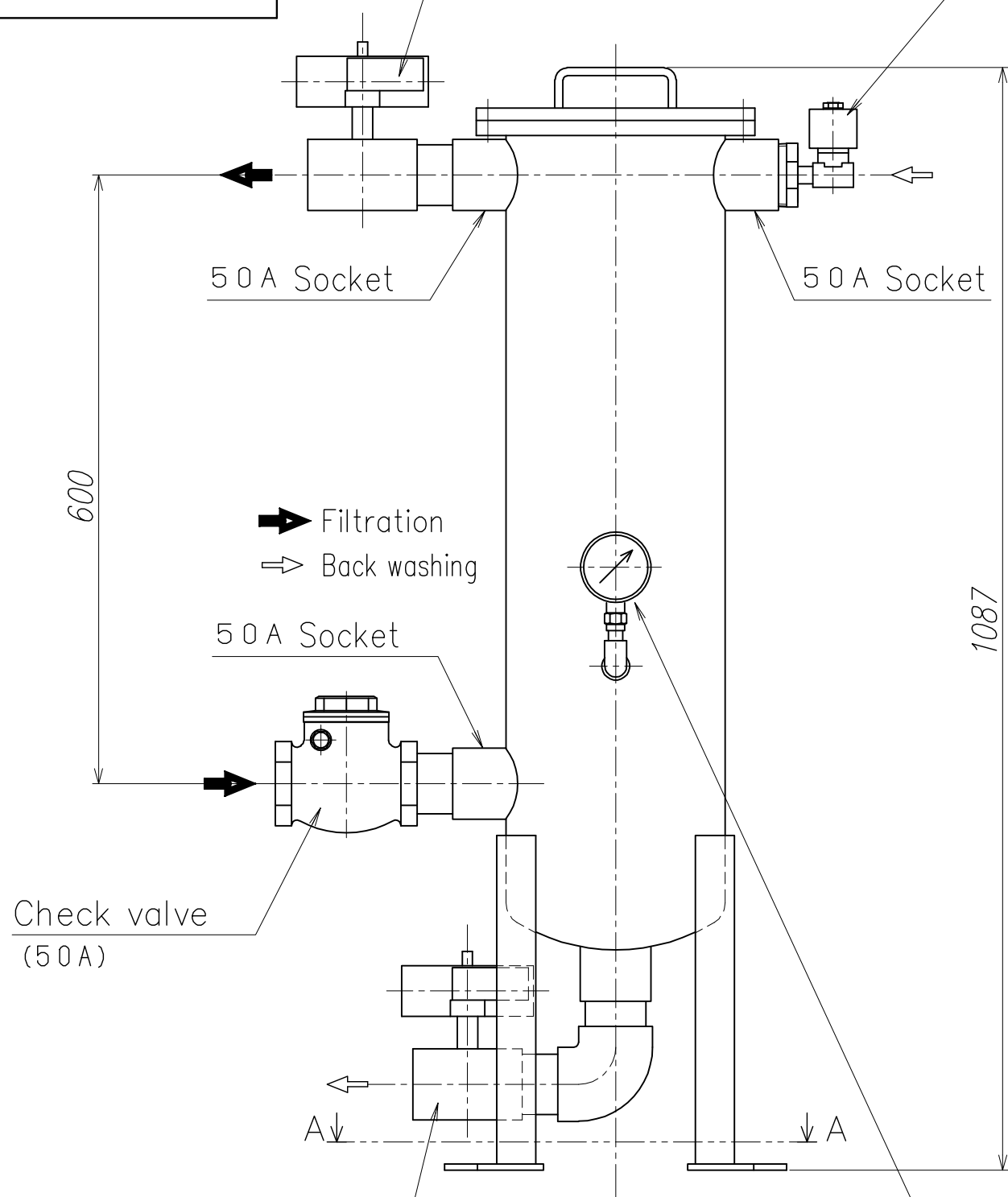


KOSELL  
 Type KC6-250-20RV-1  
 KP6-250-25RV-1

Compact rotary valve (50A)  
 CHB-V2-50-0L  
 DC24V (CKD)

General purpose valve (10A)  
 AB41-03-5-02H  
 DC24V (CKD)



Sec. A-A

Compact rotary valve(50A)  
 CHB-V1-50-0L  
 DC24V (CKD)

A casing is steel  
 (Rust resisting paint)

Address 1519, Wakabadai  
 Meito-ku, Nagoya-shi, Aichi 465-0015,  
 Japan  
 Tel: 052-760-3365 Fax: 052-760-3375

Note KC6... Filter elements are made of ceramics  
 KP6... Filter elements are made of a wire net of stainless steel.  
 2014.02.10

|                     |         |          |       |        |
|---------------------|---------|----------|-------|--------|
| APPROVED            | CHECKED | DESIGNED | SCALE | NAME   |
|                     |         |          | 1/6   | KOSELL |
| KOIKE E&S CO., LTD. |         |          |       |        |

KOSELL  
 KC6-250-20RV-1  
 KP6-250-25RV-1

