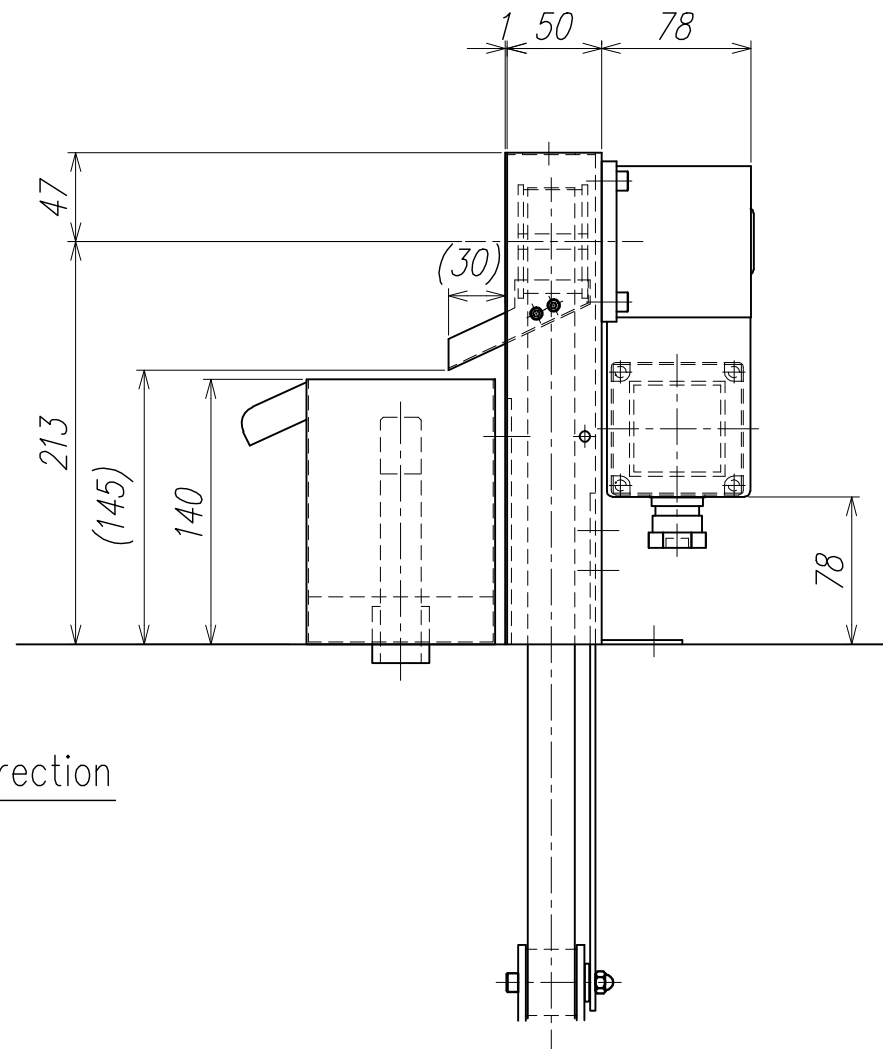
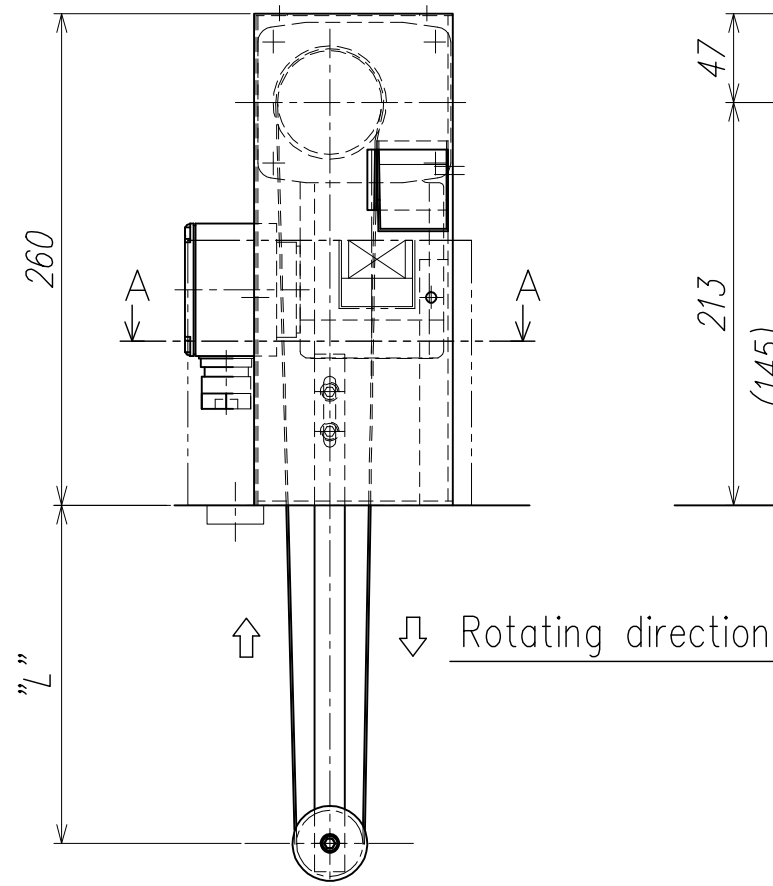
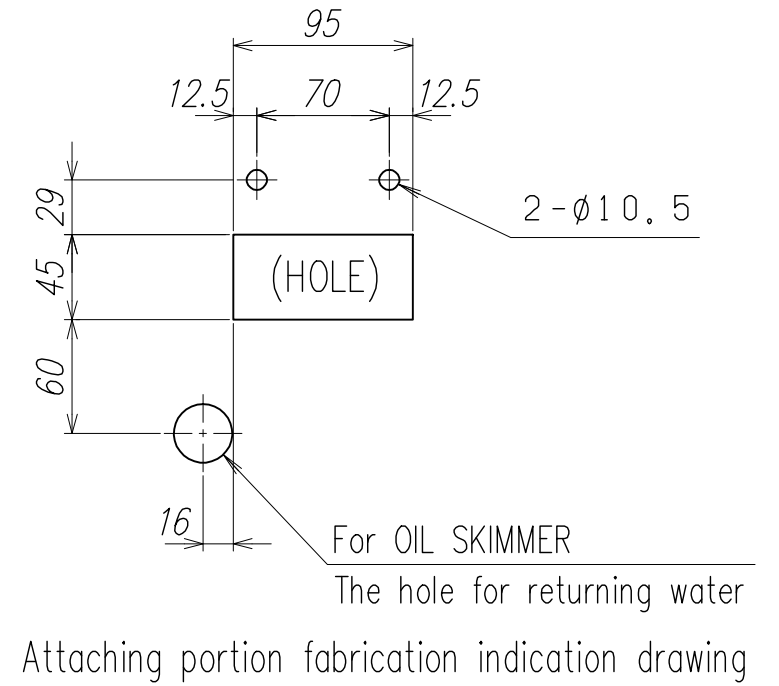
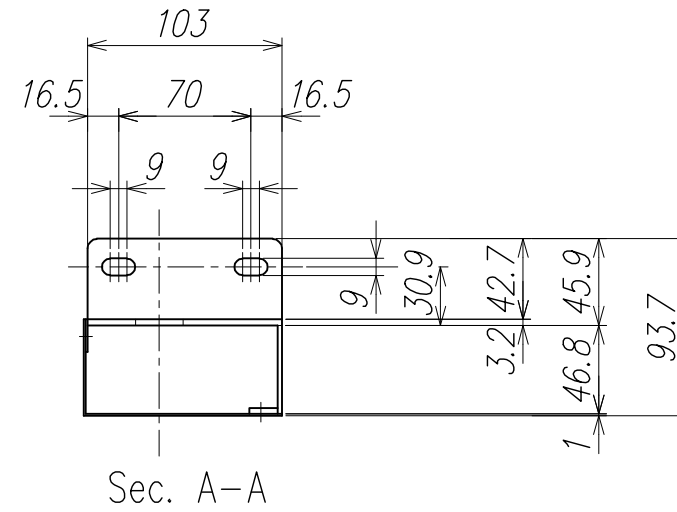
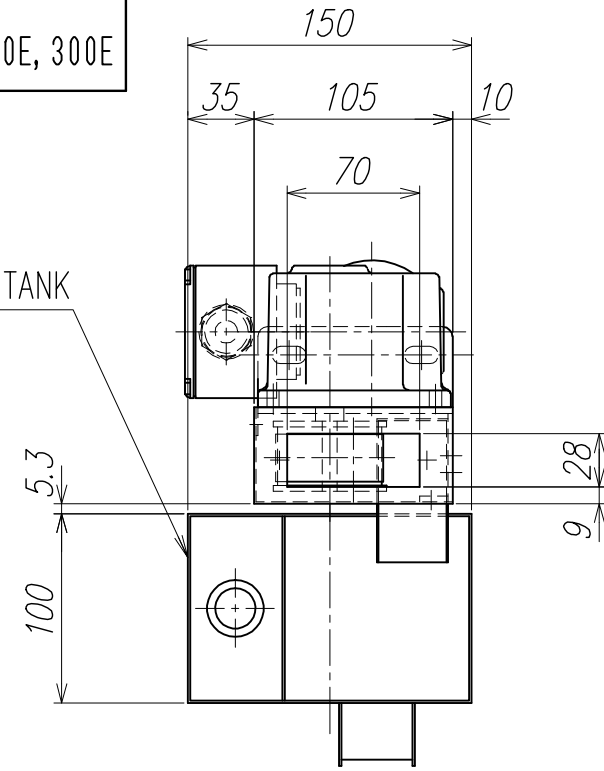


OIL SKIMMER
Type JS25-115E, 165E, 200E, 250E, 300E

OIL SEPARATOR TANK
ST-140(Option)



Motor Specification
1. 200V/220V, 50/60Hz, 15w, 4P, 1/50
2. Aluminum terminal box

Dimension "L"	Type
115	JS25-115E
165	JS25-165E
200	JS25-200E
250	JS25-250E
300	JS25-300E

Address 1519, Wakabadai
Meito-ku, Nagoya-shi, Aichi 465-0015,
Japan
Tel: 052-760-3365 Fax: 052-760-3375

Note
2018. 5. 1

APPROVED	CHECKED	DESIGNED	SCALE	NAME
			1/4	OIL SKIMMER
KOIKE E&S CO., LTD.				JS25-***E

