

Type

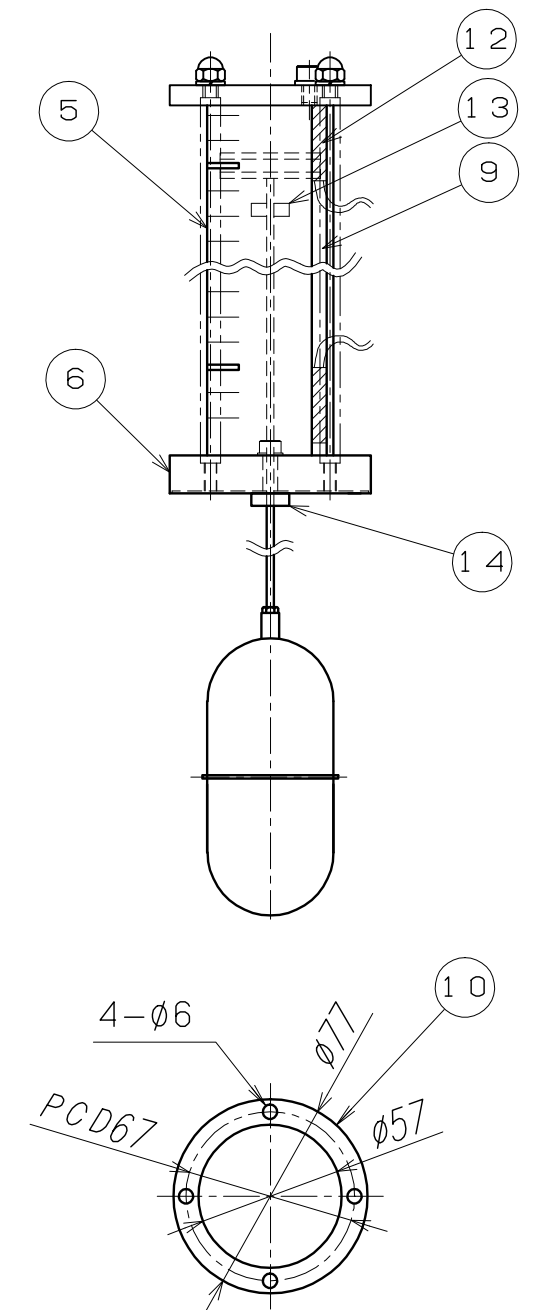
CLG-1-S1 - \*\* - \*\* - \*\* S  
 Common type Switch The space between H and L Size from under flange to center of float For washing machine

CODE	Switch
00	None
0C	One for lower limit
C0	One for upper limit
CC	One each for upper and lower limits space between H and L
3C	Three
4C	Four

The space between H and L	"A" Size
~ 50 mm	132 mm
55~100 mm	182 mm
105~150 mm	232 mm
155~200 mm	282 mm
205~250 mm	332 mm
255~300 mm	382 mm
305~350 mm	432 mm
355~400 mm	482 mm
405~450 mm	532 mm
455~500 mm	582 mm

SIZE	Size from under flange to center of float
70	The custom-designed size of 70mm or more can be produced.

Specification of Auto-switch	
Load voltage	AC/DC 10~100V
Load current	3~20 mA
Response time	1 ms
Impact resistance	30G
Ambient temperature	-10~60°C
Internal voltage drop	MAX 4V



Gasket (Plate thickness t=2mm)

14	Stopper	1	Aluminum	AL12-001	
13	Stopper	1	Aluminum	AL12-001	
12	Auto switch	**		S·SWC-1-G-K	
11	Hexagon socket bolt	4		M5	
10	Gasket	1	Silicone rubber	G67-001	
9	Switch rail	1	Acrylic	L150-001	
8	Float	1	SUS316	W50-004	
7	Shaft	1	SUS304	P3-002	
6	Flange	1	Aluminum	F80A-020	
5	Pipe	1	Polyarylate	S50-002	
4	Magnet	1		CM40-001	
3	Spacer	2	Acrylic	MS40-001	
2	Pipe & Free-size Bolt or Tie rod	4	SUS304 & SS400	Pipe (SUS304) & FREE-SIZE BOLT (SS400) or φ8 Tie rod (SUS304)	
1	Flange	1	Aluminum	F80A-010	
No.	PART NAME	Q'TY	MATERIAL	TYPE	REMARKS

APPROVED CHECKED DESIGNED SCALE NAME  
 1/3 CLEAN LEVEL TOWER (Type: Cleaning agent)  
 CLG-1-S1-\*\*-\*\*-\*\*S

Address 1519, Wakabadai  
 Meito-ku, Nagoya-shi, Aichi 465-0015,  
 Japan  
 Tel: 052-760-3365 Fax: 052-760-3375

Note A part of shape of the float was changed.  
 2018.06.01

KOIKE E&S CO., LTD.