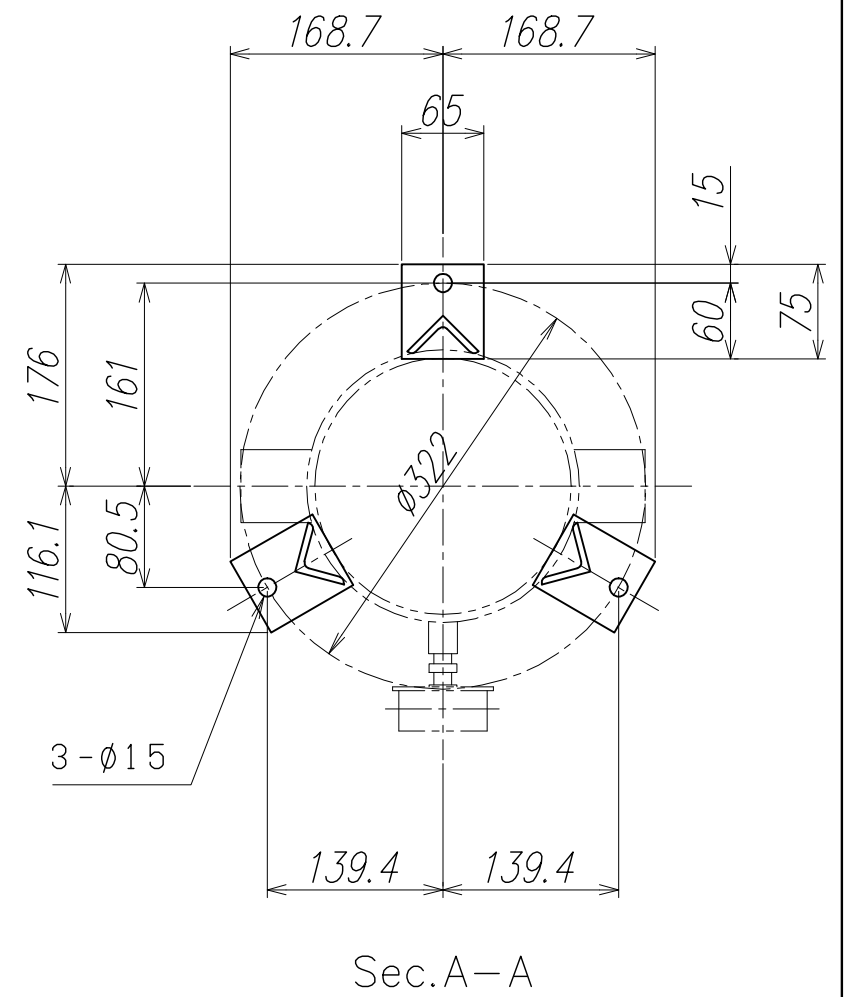
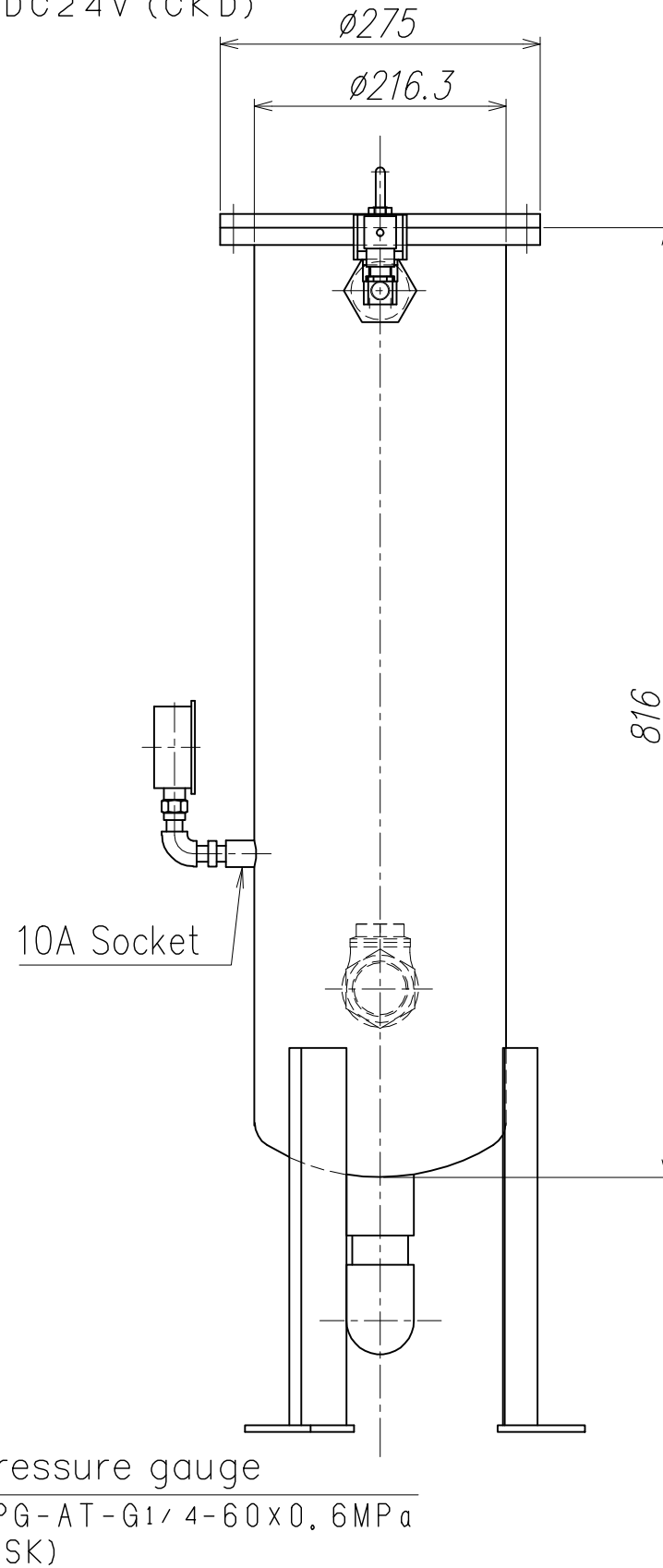
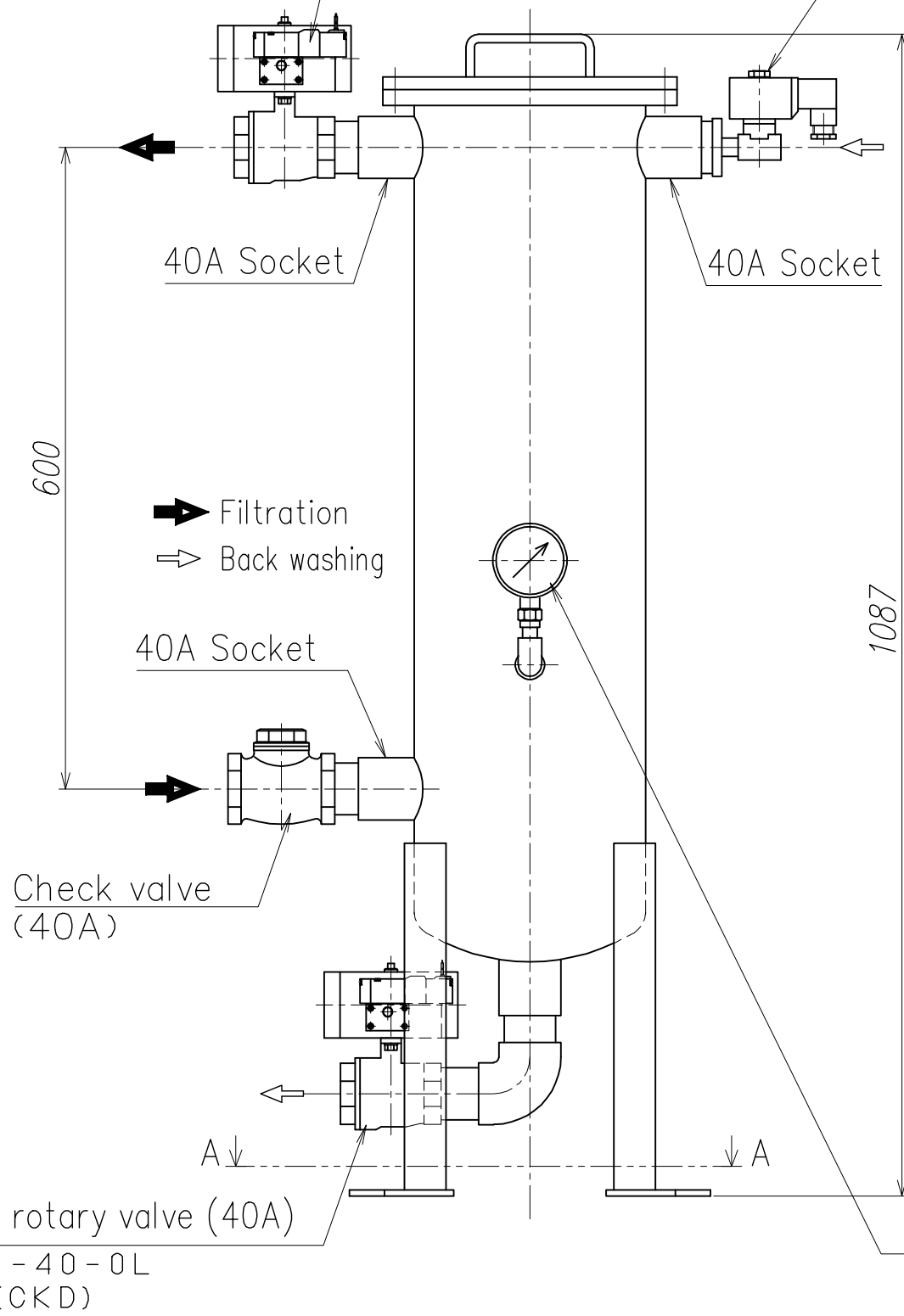


KOSELL  
 Type KC4-250-20RV-1  
 KP4-250-25RV-1

Compact rotary valve (40A)  
 CHB-V2-40-0L  
 DC24V (CKD)

General purpose valve (10A)  
 AB41-03-5-02H  
 DC24V (CKD)



A casing is steel  
 (Rust resisting paint)

Address 1519, Wakabadai  
 Meito-ku, Nagoya-shi, Aichi 465-0015,  
 Japan  
 Tel: 052-760-3365 Fax: 052-760-3375

Note KC4... Filter elements are made of ceramics  
 KP4... Filter elements are made of a wire net of stainless steel.  
 2014.02.10

APPROVED	CHECKED	DESIGNED	SCALE	NAME
			1/6	KOSELL KC4-250-20RV-1 KP4-250-25RV-1
KOIKE E&S CO., LTD.				

